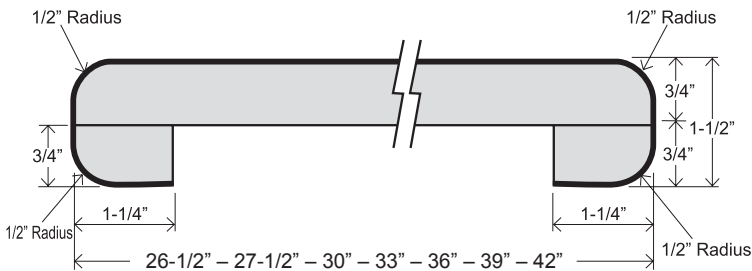
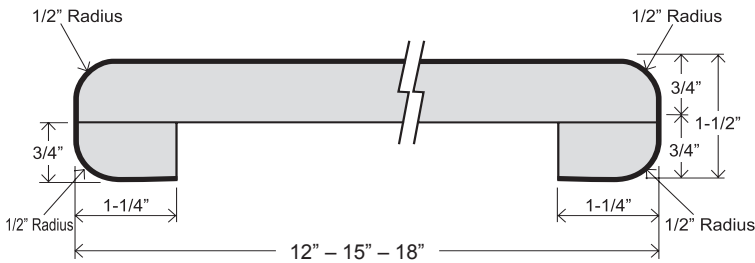


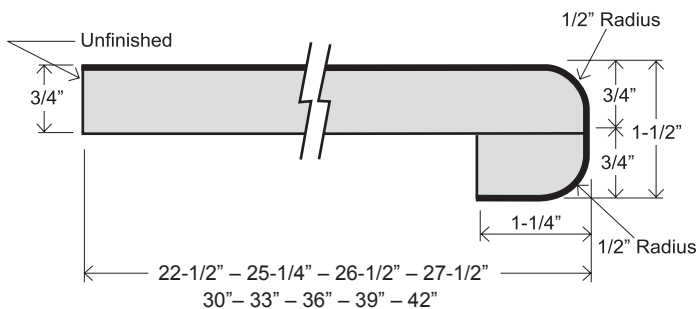
**KITCHEN & VANITY TOP**  
EWW 19  
EWW 22-1/2  
EWW 25-1/4



**BAR TOP**  
EWB 26 -1/2  
EWB 27-1/2  
EWB 30  
EWB 33  
EWB 36  
EWB 39  
EWB 42



**BAR TOP**  
EWB 12  
EWB 15  
EWB 18



**FLAT DECK TOP**  
EWF 22-1/2  
EWF 25-1/4  
EWF 26-1/2  
EMF 27-1/2  
EWF 30  
EWF 33  
EWF 36  
EWF 39  
EWF 42

**FEATURES**

- European profile front nose, flat face with double radius, 1-1/2" thick
- 1/4" cove radius for easy cleaning
- Featuring 1" x 1" cove molding
- 3/8" scribe for fitting out-of-square walls
- 1-1/4" front build-up for floating countertop installation
- Kitchen and vanity tops feature 3" backsplash
- All bars feature double radius both sides
- Flat deck tops have flat face with double radius front side, unfinished back side

**HARTSON-KENNEDY  
CABINET TOP CO., INC.**

CORPORATE HEADQUARTERS  
522 W. 22nd Street  
Marion, IN 46953  
Phone: (765) 668-8144 . Fax: 765-662-3452

10115 Lorraine Road  
Gulfport, MS 39503  
Phone: (228) 896-1548 . Fax: 228-896-5905

4255 Interstate Drive  
Macon, GA 31210  
Phone: (478) 474-0266 . Fax: 800-477-7689

Visit our website:  
[www.hartson-kennedy.com](http://www.hartson-kennedy.com)

